

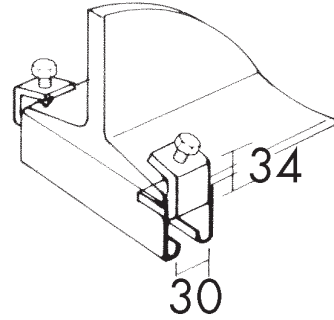


Clamp Internal

ZT606

Technical Features

- Finish : Hot-Dip Galvanised
- Specification : To create metal frames with Strut Channels.



Pipe Support

Clamp Internal - ZT606

Physical Data

Reference	Thread	Box Qty.	Weight (x1) (kg / lbs)
313270	M10	1	0,14 / 0.31